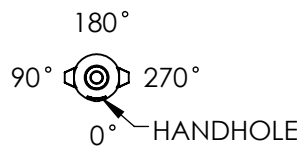


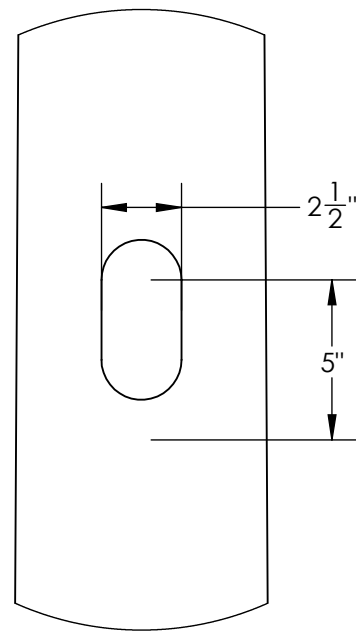
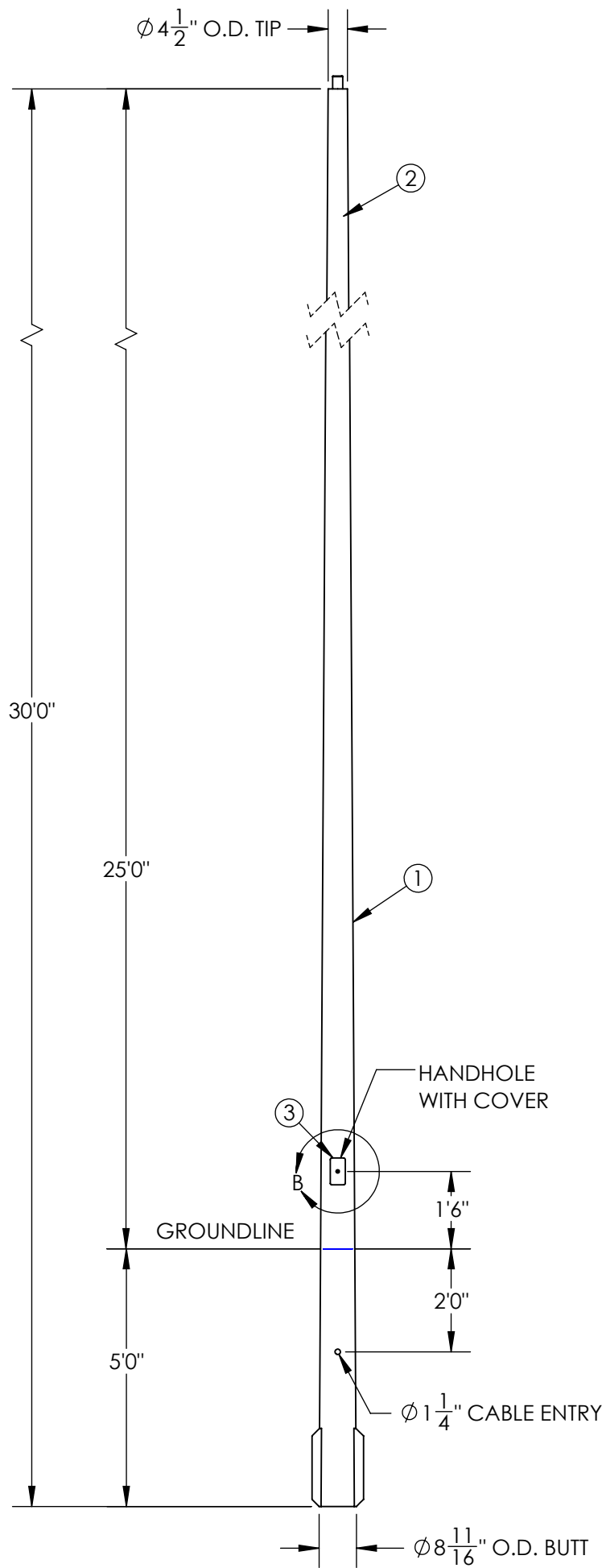
ITEM NO.	PART NUMBER	DESCRIPTION	DESCRIPTION 2	QTY.
1	POLE	-	-	1
2	TEN-0003	TENON 2-3/8"	-	1
3	COV-0001	HAND-HOLE COVER	2.5" x 5"	1

ECO		REV.	DESCRIPTION	DATE	INITIALS

FEATURE ORIENTATIONS				
	0°	90°	180°	270°
CABLE ENTRY	X			
HAND HOLE	X			



**NOTE:** ALL HOLES DRILLED ONLY THROUGH THE FACES SPECIFIED BY 'X'



DETAIL B  
HANDHOLE CUTOUT  
COVER REMOVED FOR CLARITY  
SCALE 1 : 6

MAXIMUM EPA PER WINDZONE										
MPH	90	100	110	120	130	140	150	160	170	180
EPA	15.8	11.6	9.1	7.4	6.1	5.9	4.9	4.1	3.5	3.0

**NOTES:**

- DIRECT BURIAL CLASS 1 POLE PER ASTM 4923. POLE TOP DEFLECTION SHALL NOT EXCEED 15% OF THE ABOVE HEIGHT AT MAX WIND LOADING AND MAX FIXTURE WEIGHT.
- DESIGN CRITERIA PER AASHTO LTS-6-2013, ANSI C136.20-2012, AND 2020 FBC 7TH EDITION WHERE APPLICABLE, WITH A MINIMUM SAFETY FACTOR OF 1.5.
- EMBEDMENT BASED ON MINIMUM DEPTH RECOMMENDED BY ANSI C136.20-2012 SECTION 5.3 AND ASSUMING CLASS 2 SOIL OR BETTER WHEN LOADED AT MAXIMUM EPA.

**N = NATURAL FINISH**  
**S = SMOOTH FINISH**

D5TI30F00↑2↓GXHH

**G = GRAY**  
**A = BLACK**  
**F = BRONZE**  
**W = WHITE**  
**N = GREEN**

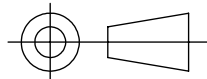
---UNLESS OTHERWISE SPECIFIED---  
DIMENSION UNITS ARE IN FEET AND INCHES  
DIMENSIONS SHOWN ARE NOMINAL

STATE:	RELEASED	2022-05-17
DRAWN:	AJH	2022-05-17
CHECKED:	DMF	2022-05-17
APPROVED:	AJH	2022-05-17
REPLACES:	-	



**PROPRIETARY AND CONFIDENTIAL**  
THE INFORMATION CONTAINED IN THIS DRAWING IS THE SOLE PROPERTY OF GEOTEK. ANY REPRODUCTION IN PART OR AS A WHOLE WITHOUT THE WRITTEN PERMISSION OF GEOTEK IS PROHIBITED.

THIRD ANGLE PROJECTION



CUSTOMER SIGNATURE:

DATE:

DESCRIPTION:  
**POLE SYSTEM, DIRECT BURIAL INTERMEDIATE DUTY, 30FT**

1421 SECOND AVE NW  
STEWARTVILLE, MN 55976  
(800) 533-1680  
www.geotek.com

SIZE: DWG. NO.  
**B D5TI30F00X2XGXHH**

POLE COLOR: REV:  
SCALE: 1:36 SHEET 1 OF 1