

## ECWLEZXTEU

Wet Location All LED Exit & Emergency Polycarbonate Combo



### Illumination

- Long lasting, efficient, ultra bright white LED lamp heads.
- 3.6 watt (3 LEDs x 1.2 watt) per head.
- Adjustable LED lamp heads provide optimal center-to-center spacing.
- Long-life, energy efficient Red or Green LED EXIT sign illumination.

### Electrical

- Dual 120/277V.
- Unique bi-color LED indicator light alerts occupant on battery condition (Green-normal, Red-check battery).
- 6V long life, maintenance free, rechargeable NiCd battery.
- Internal solid-state transfer switch automatically connects the internal battery to LED board and lampheads for minimum 90-minute emergency illumination.
- Fully automatic solid state, two rate charger initiates battery charging to recharge a discharged battery in 24 hours.

### Mounting

- Die-cast aluminum mounting canopy included for top or end mount.
- Universal knockout pattern on back plate for wall mount.

### Housing

- 5VA fl ame retardant, UV stabilized polycarbonate in white, black or gray finish.
- High-impact resistant, UV stabilized polycarbonate clear lens.
- Corrosion resistant enclosure with engineering grade silicone gasket.
- Knockout's provided for conduit feed applications.
- EZ snap-out Chevron directional indicators.

### Warranty & Listings

- Five year warranty on all electronics and housing. Battery prorated for five years.
- Meets UL924, NFPA 101 Life Safety Code, NEC, OSHA, Local and State Codes.
- UL listed for wet locations (0°C – 50°C).
- Certified to CEC under Title 20 Regulations.

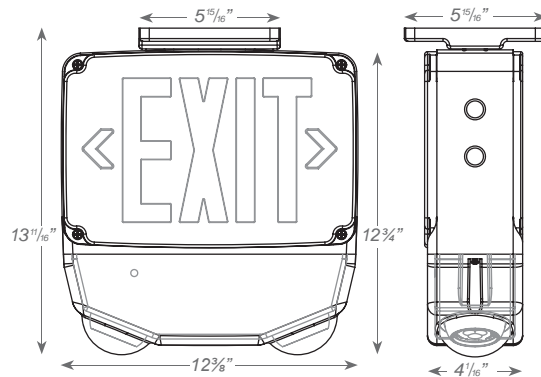
### Ordering Information



### Options

- RC: Remote capacity of up to 7.2 watts.
- SDT: Self-diagnostic feature performs monthly, biannual, and annual tests to ensure reliable operation and meets electrical and life safety codes.
- TP: Tamper-proof hardware helps discourage unauthorized access to the unit.
- CW: Optional internal heater and battery blanket for extreme cold temperature applications (-20° C – 50° C).
- Custom: Signs available with requested "special" wording

### Dimensions



Product Number: ECWLEZXTEU      N:      LC:      HC:      O:

MODEL	No. of FACES	LETTER COLOR	HOUSING COLOR	OPTIONS				
ECWLEZXTEU	1	Single Face	R Red	W White	RC	Remote Capacity	CW	Cold Weather
	2	Double Face	G Green	B Black	SDT	Self-Diagnostics	CUSTOM	Custom Wording
			G Gray (with white faceplate)	TP	Tamper-Proof			

Special voltage options available.